

KERMIT CHAIR COMPANY

5233 PINE HILL ROAD
NASHVILLE, TN 37221
(888) 729-9836
www.kermitchair.com

THE KERMIT CHAIR QUALITY GUARANTEE

30-DAY MONEY-BACK GUARANTEE

Kermit Chair Company will return the purchase price less shipping to any purchaser not satisfied with the Kermit Chair, if the Chair is returned within 30 days from the date of purchase.

WARRANTY

The Kermit Chair has a five-year limited warranty. This warranty covers defects in workmanship and materials which impact the function of the Kermit Chair. This warranty excludes damage caused by accident or abuse.

For warranty service, return the Chair postpaid to Kermit Chair Company along with a description of the defect. The Chair will be repaired or replaced and return shipped within 5 working days.

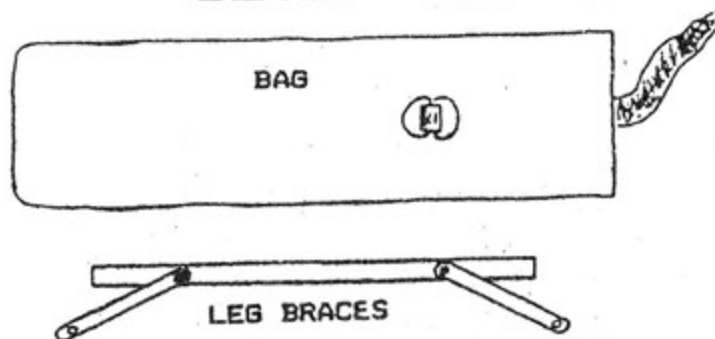
This warranty gives the purchaser specific legal rights, and the purchaser may have other rights which vary from state to state.

GENERAL CUSTOMER SERVICE

Kermit Chair Company provides inspection and repair service for all of our products at a nominal cost. Please call or write for details.

KERMIT'S TOURING CHAIR / SETUP INSTRUCTIONS

- REMOVE CHAIR PARTS FROM BAG
- CHECK CONTENTS
- READ INSTRUCTIONS AND NOTES
- REVIEW PART NAMES/LOCATIONS
- SETUP CHAIR



CURVED BRACES



CHAIR SETUP STEPS

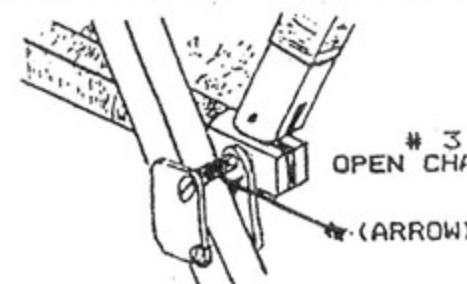
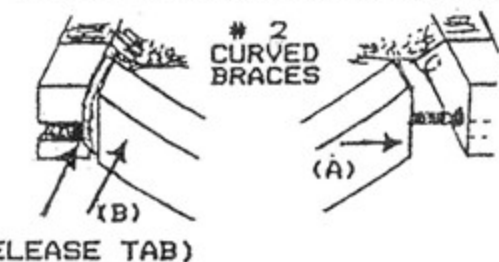
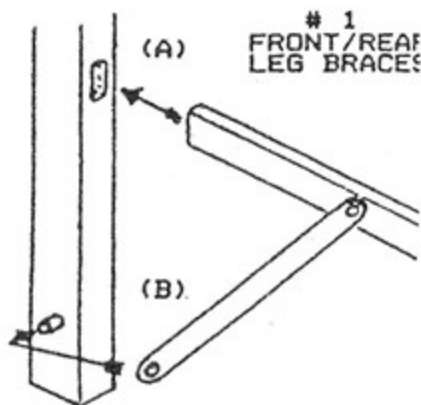
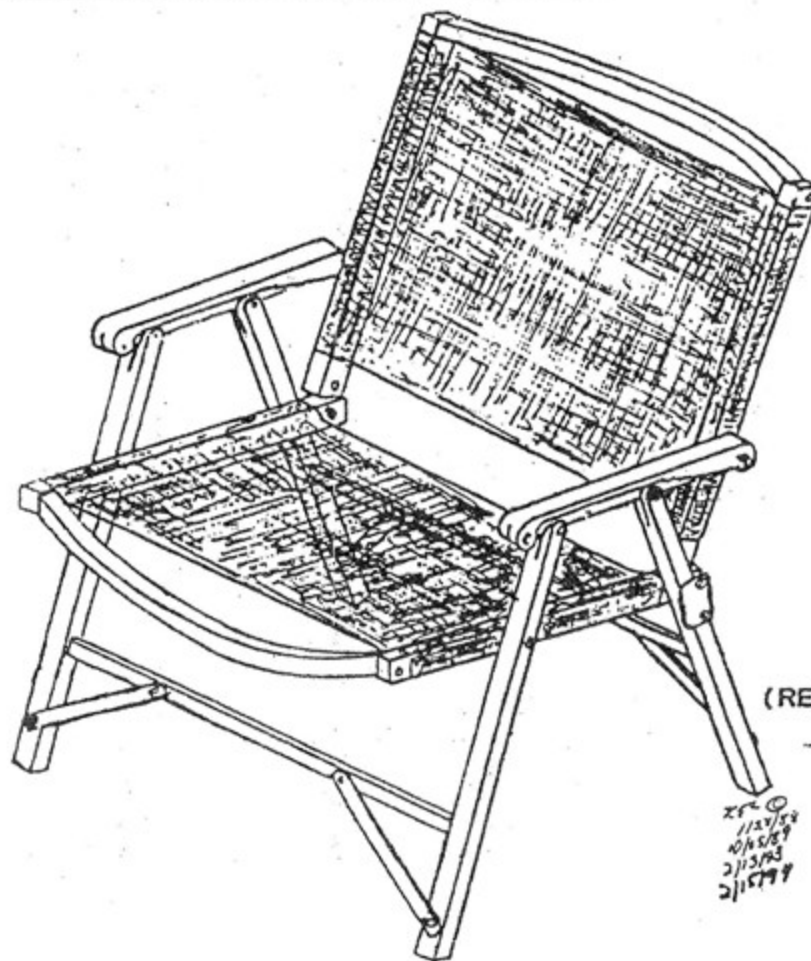
1. INSTALL LEG BRACES
 - A. INSERT ENDS OF LEG BRACE INTO HOLES IN THE LEGS
 - B. MOVE END OF METAL BRACE OVER STUD AND INSERT STUD INTO HOLE IN METAL BRACE
2. ATTACH CURVED BRACES
 - A. RIGHT HAND SIDE--SLIDE BRACE STUD INTO HOLE IN SEAT(BACK) RAIL
 - B. LEFT HAND SIDE--SLIDE BRACE STUD INTO FRONT/TOP OF SEAT(BACK) RAIL WHILE PUSHING UP ON RELEASE TAB UNTIL STUD IS FULLY SEATED
 - C. CHECK THAT BRACE IS CAPTIVE ON BOTH ENDS
3. OPEN/UNFOLD CHAIR
 - A. OPEN CHAIR UNTIL SPACERS (ARROW) ARE AGAINST REAR LEGS--VERY IMPORTANT!!

PACKING THE CHAIR

- REVERSE SETUP STEPS
- PLACE CHAIR FRAME FLAT WITH ARM TOPS FACING DOWN
- THEN ROLL CHAIR SIDE FRAMES TOWARD EACH OTHER
- HOLD CHAIR FRAME IN ONE HAND AND INSERT TOP FIRST INTO BAG
- NEXT INSERT LEG BRACES CENTERED ON TOP OF CHAIR FRAMES W/ALUM PLATES DOWN
- INSERT CURVE BRACES INTO BAG & CLOSE IT--YOU'RE DONE

NOTES!! PLEASE !!

- *BEFORE SITTING IN YOUR CHAIR * MAKE SURE IT IS PROPERLY SET-UP & OPEN ALL THE WAY STEP 3
- * ANNUALLY * VERIFY THAT THE CHAIR WOOD, NYLON, & NUTS & BOLTS ARE OK
- * AT ALL TIMES * IF A PROBLEM OCCURS, GET IT FIXED. IF IN DOUBT, CHECK IT OUT!



441116
Kermit's
Touring
Chair
© 1978